

Installation Instructions

VacuStat™ Status Panel



Dometic Corporation • Sanitation Systems
13128 State Rt. 226, P.O. Box 38
Big Prairie, OH 44611-0038 USA
330-496-3211
1-800-321-9886 • Fax: 330-496-3097

® Registered; ™ Trademark of Dometic Corporation
© Dometic Corporation

Part Number	Description
313700012	VacuStat - 12 VDC
313700024	VacuStat - 24 VDC
313700112	VacuStat Magnum Opus - 12 VDC
313700124	VacuStat Magnum Opus - 24 VDC

Specifications

Average Current Consumption for 12 or 24 VDC Models:
0.016 Amps

Panel Material:
Brushed Platinum Polyester

Features

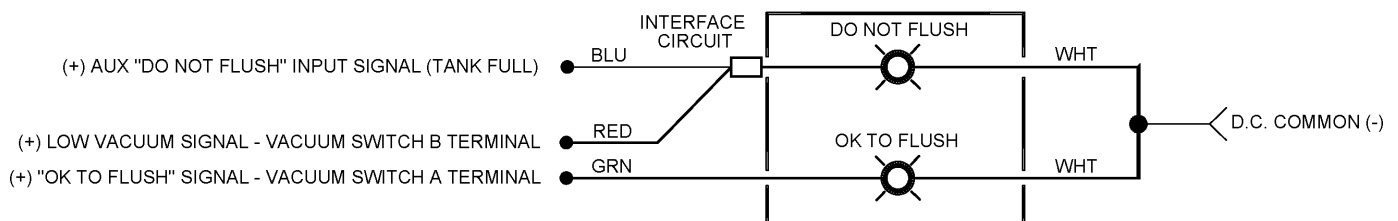
- A desirable accessory for VacuFlush® systems.
- Continuously monitors status of vacuum for proper operation.
- Green light indicates that it is ready to flush.
- Red light indicates that the vacuum pump is running or, if connected to a TankWatch® 4 level indicator with shut-down relay, denotes that the holding tank is full.
- Brushed metallic-look panel complements bathroom décor.

Installation Instructions

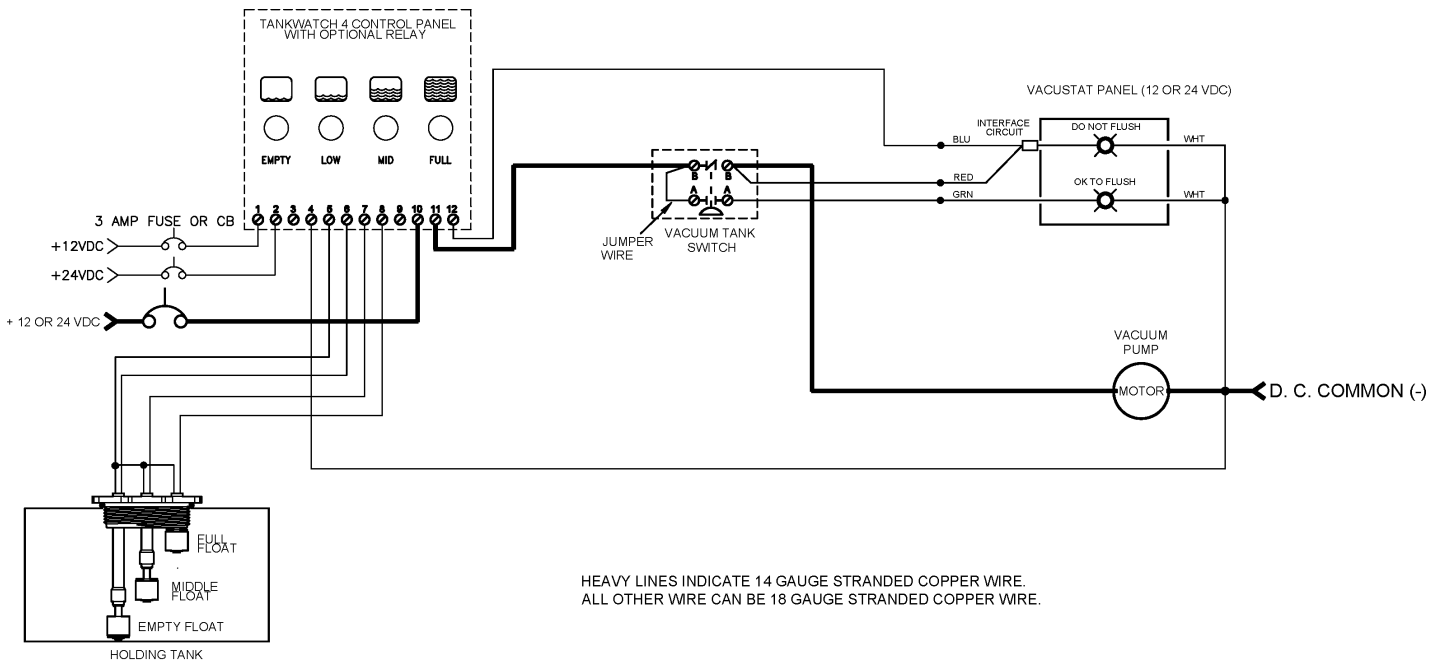
1. Choose an appropriate location for the VacuStat panel.
2. Using the mounting hole location diagram, drill (2) 1-inch holes as noted.
3. If necessary, drill two 1/16" pilot holes for the two #4 x 3/8" mounting screws provided. The locations for these holes are also noted on the hole location diagram.
4. Route wiring according to the wiring diagram. Use approved connectors for attaching all wires. If only one input for the "Do Not Flush" light is needed, either tie both the red and blue wires together or isolate one wire with an approved wire nut or equivalent.
5. Once the wiring is completed, mount the panel with the two mounting screws.

NOTE: In order for the red LED to function properly for both Low Vacuum and Tank Full status, the negative signal from the Tank Full float switch must be converted to a positive signal. This can be accomplished by using a TankWatch 4 with a relay or by using a shut-down relay assembly.

Wiring Diagram



Wiring Diagram Including TankWatch 4 w/Optional Relay



PLEASE NOTE THAT THE RECESSED SHOULDER OF THE EMPTY FLOAT IS DOWNWARD.

Mounting Hole Location Template

All measurements are shown in inches.

