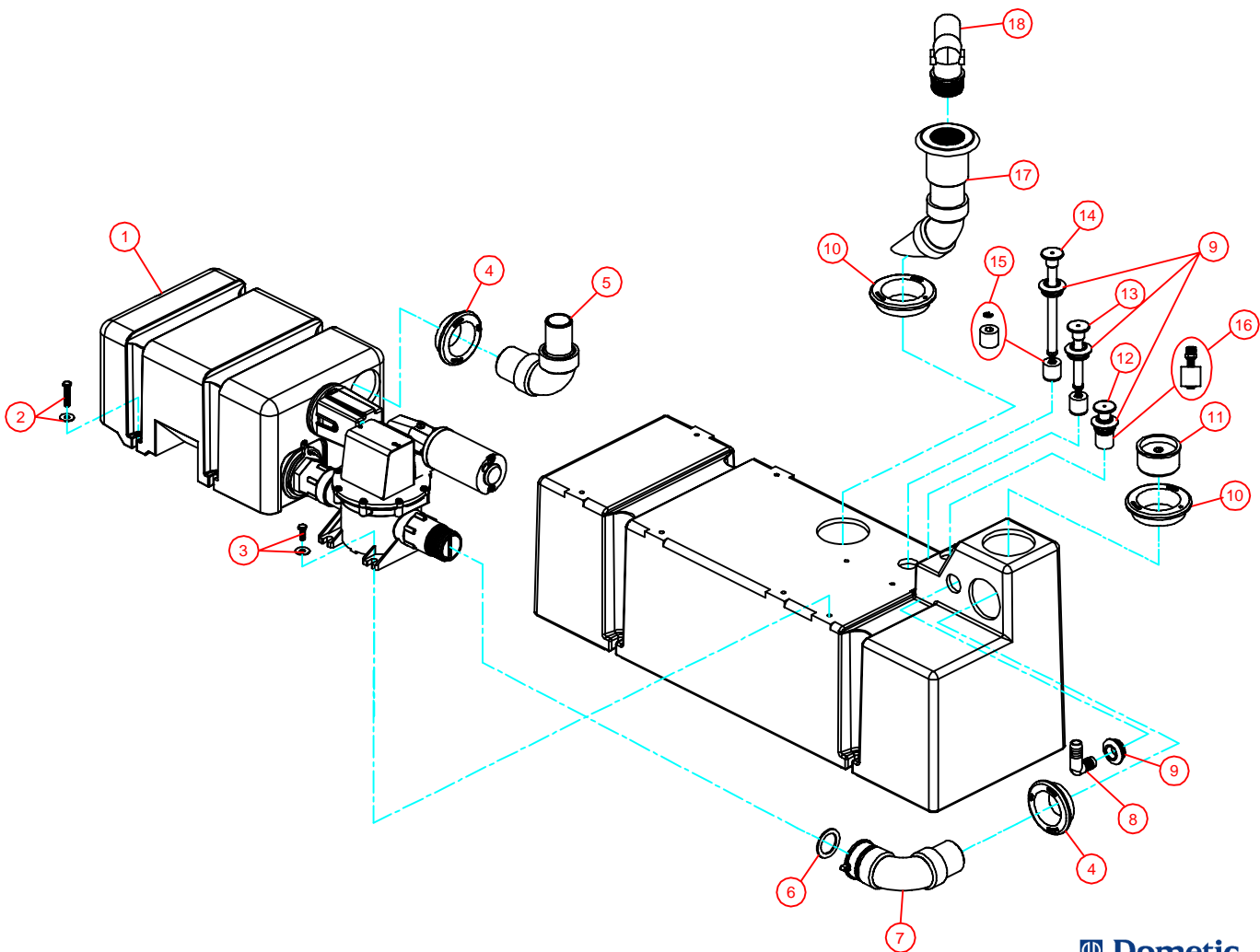


PARTS LIST: 10 Gallon HTS 322711012

ITEM	PART NO.	DESCRIPTION	ITEM	PART NO.	DESCRIPTION
1	N/A	SEE LPVG PARTS LIST	10	385311110	2" SEALING GROMMET
2	385311162	KIT, MTG HARDWARE VG TO HTS	11	313255247	1-1/2" TANKSAVER VALVE (includes item 10)
3	385311163	KIT, MTG HARDWARE PUMP TO TANK	12	313900101	FULL FLOAT (includes item 9)
4	385311111	1- 1/2" SEALING GROMMET	13	385310675	MID FLOAT 10 HTS (includes item 9)
5	385310635	KIT, INLET ELBOW-UNISEAL (includes item 4)	14	385310768	EMPTY FLOAT 10 HTS (includes item 9)
6	385311233	KIT, SLIP SEAL 1-1/2" REPL	15	385311103	FLOAT & LOCK RING
7	385310772	ELBOW SWIVEL (includes item 4&6)	16	385230268	KIT, FLOAT/STEM (THREADED)
8	600343974	5/8" BARBED ELBOW	17	385310660	DIPTUBE KIT (inc. item 10)
9	385311164	1/2" SEALING GROMMET	18	385311251	KIT, 90° ELBOW FITTING



Dometic Corporation - Sanitation Systems
13128 State Rt. 226, P.O. Box 38
Big Prairie, OH 44611-0038 USA
Telephone: 330-496-3211
Fax: 330-496-3097
Email: sealand@dometicusa.com