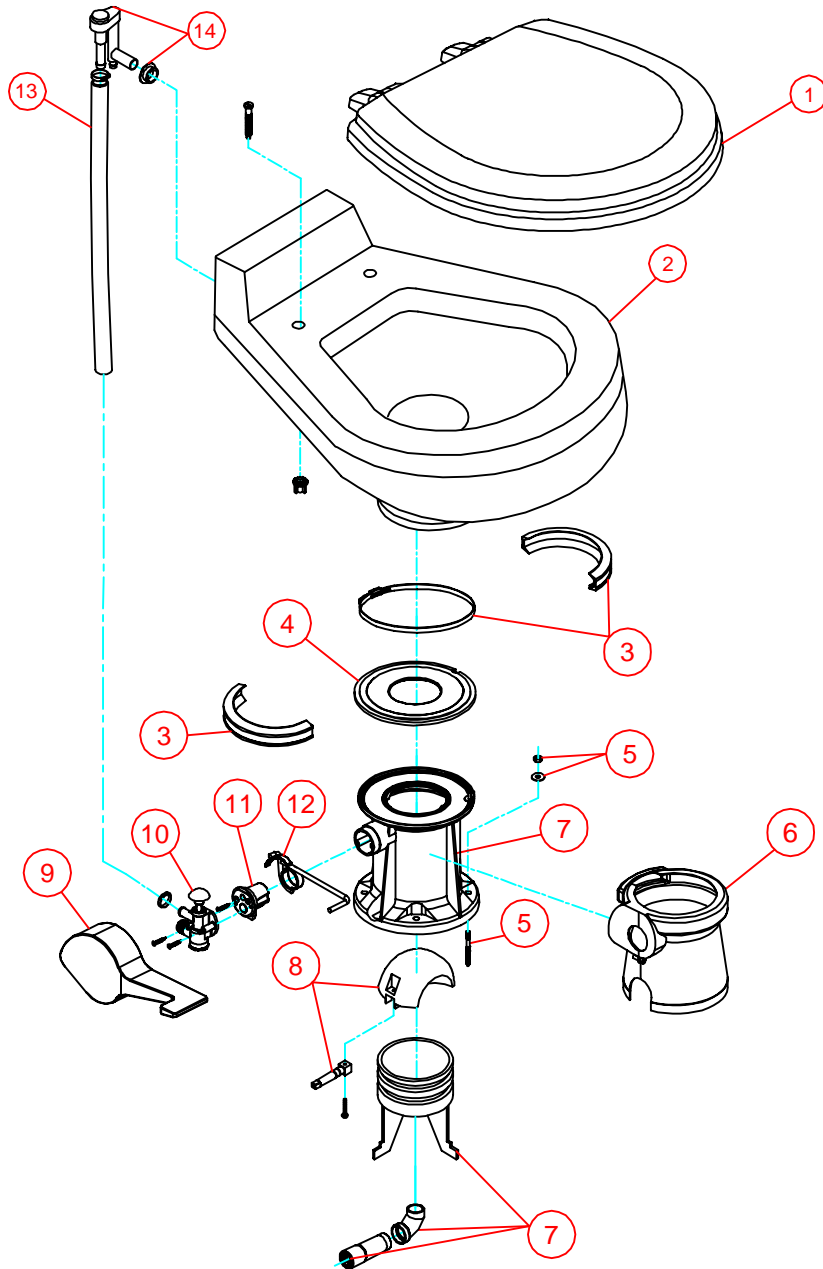


PARTS LIST: VACUFLUSH MODELS 1008 -1047-1048 -1049



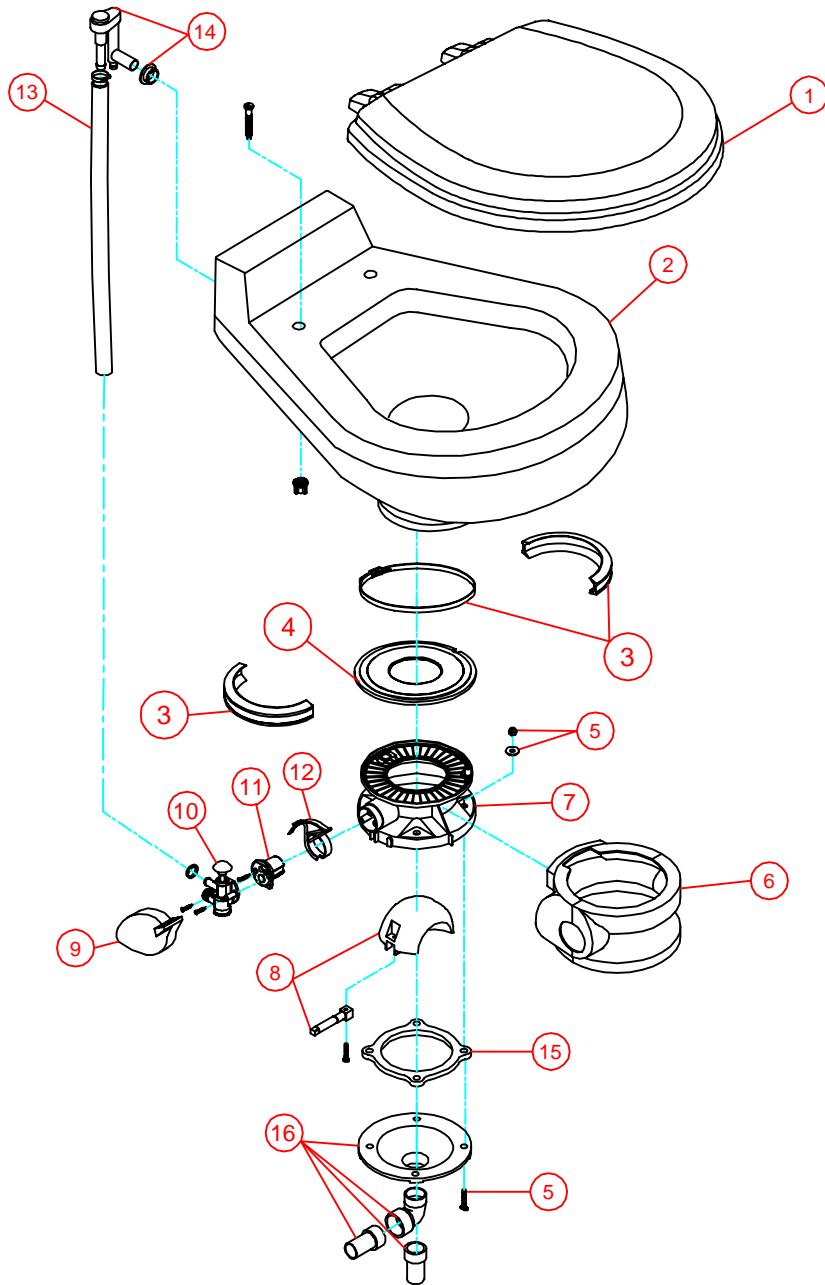
ITEM	PART NUMBER				DESCRIPTION
	1008	1047	1048	1049	
1	385344436				SEAT ASSEMBLY, WHITE
	385344437				SEAT ASSEMBLY, BONE
2	385310615				CHINA BOWL KIT, WHITE
	385310616				CHINA BOWL KIT, BONE
3	385310025				BAND AND HALF CLAMP, KIT WHITE
	385310048				BAND AND HALF CLAMP, KIT BONE
4	385310677				SEAL REPLACEMENT , KIT
5	385316323				MOUNTING HARDWARE
6	385310111	385310674	385310136	385310904	PEDESTAL COVER KIT , WHITE
	385310112	385310613	385310137	385310913	PEDESTAL COVER KIT , BONE
	385310173	385310746	385310174	N/A	PEDESTAL COVER KIT , EBONY
7	385310126	385310665	385310129	385310911	BASE KIT, WHITE (inc items 3-12)
	385310127	385310614	385310130	385310912	BASE KIT, BONE (inc items 3-12)
	385310171	N/A	385310172	N/A	BASE KIT, EBONY (inc items 3-12)
8	385318162				KIT,BALL,SHAFT & CART, WHITE (inc. item 11)
	385310177				KIT,BALL,SHAFT & CART, EBONY (inc. item 11)
9	385310111				PEDAL COVER, WHITE
	385310115				PEDAL COVER, BONE
	385310175				PEDAL COVER, EBONY
10	385314349				KIT, WATER VALVE
11	385236096				KIT, SPRING CARTRIDGE
12	385310578				KIT, LEVER/CART-TALL BASE
13	385340177				HOSE, SUPPLY - BONE.
	385345377				HOSE, SUPPLY - WHITE
14	385316906				VACUUM BREAKER, KIT

TOILET MODEL	DISCHARGE LOCATION
1008	THROUGH THE FLOOR
1047	OPPOSITE PEDAL
1048	REAR OF TOILET
1049	UNDER PEDAL



Dometic Corporation - Sanitation Systems
13128 State Rt. 226, P.O. Box 38
Big Prairie, OH 44611-0038 USA
Telephone: 330-496-3211
Fax: 330-496-3097
Email: sealand@dometicusa.com

PARTS LIST: VACUFLUSH MODELS 1006



ITEM	PART NUMBER	DESCRIPTION
1	385344436	SEAT ASSEMBLY, WHITE
	385344437	SEAT ASSEMBLY, BONE
2	385310615	CHINA BOWL KIT, WHITE
	385310616	CHINA BOWL KIT, BONE
3	385310025	BAND AND HALF CLAMP, KIT WHITE
	385310048	BAND AND HALF CLAMP, KIT BONE
4	385310677	SEAL REPLACEMENT , KIT
5	385310064	MOUNTING HARDWARE
6	385310108	PEDESTAL COVER KIT , WHITE
	385310109	PEDESTAL COVER KIT , BONE
	385310600	PEDESTAL COVER KIT , EBONY
7	385310132	BASE KIT, WHITE (inc items 3-12)
	385310133	BASE KIT, BONE (inc items 3-12)
	385310607	BASE KIT, EBONY (inc items 3-12)
8	385318162	KIT,BALL,SHAFT & CART, WHITE (inc. item 11)
	385310177	KIT,BALL,SHAFT & CART, EBONY (inc. item 11)
9	385310117	PEDAL COVER, WHITE
	385310118	PEDAL COVER, BONE
	385310593	PEDAL COVER, EBONY
10	385314349	KIT, WATER VALVE
11	385236096	KIT, SPRING CARTRIDGE
12	385310579	KIT, LEVER/CART-TALL BASE
13	385340177	HOSE, SUPPLY - BONE.
	385345377	HOSE, SUPPLY - WHITE
14	385316906	VACUUM BREAKER, KIT
15	385310063	KIT, FLOOR FLANGE SEAL (inc. item 5)
16	385318864	KIT, FUNNEL 506/806/706 (inc. item 5 & 15)



Dometic Corporation - Sanitation Systems
13128 State Rt. 226, P.O. Box 38
Big Prairie, OH 44611-0038 USA
Telephone: 330-496-3211
Fax: 330-496-3097
Email: sealand@dometicusa.com