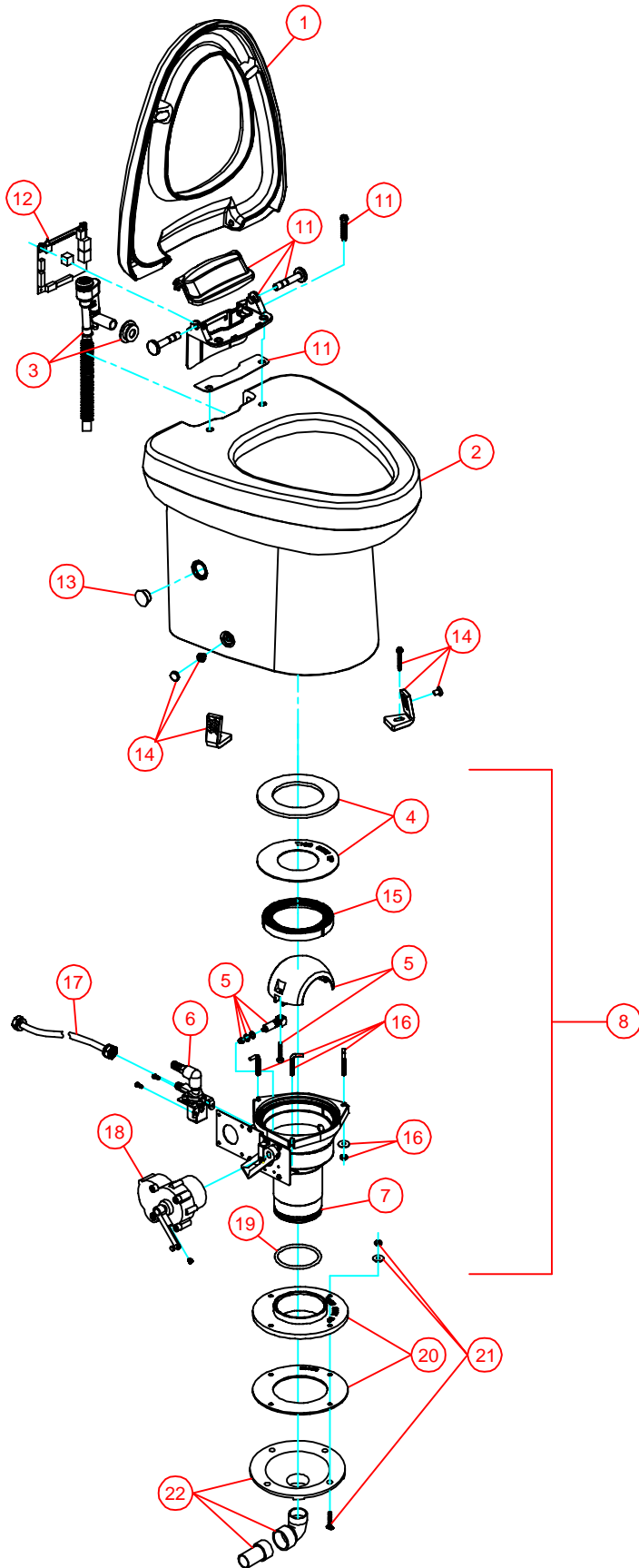


PARTS LIST: 3609 PLUG IN BASE



ITEM	PART NUMBER	DESCRIPTION
1	385311061	SEAT & COVER , WHITE
	385311062	SEAT & COVER , BONE
2	385311063	CHINA BOWL, WHITE
	385311064	CHINA BOWL, BONE
3	385310807	VACUUM BREAKER ASSEMBLY
4	385311009	KIT, SEAL PLUG IN BASE
5	385310969	SHAFT/ HALF BALL KIT
6	385310821	WATER VALVE w/MOUNTING SCREWS (12VDC)
	385310845	WATER VALVE w/MOUNTING SCREWS (24VDC)
7	385311051	BASE PLUG IN
8	385311050	COMPLETE BASE 12VDC PLUG IN (INCLUDES ITEMS 4-7,16-19)
	385311170	COMPLETE BASE 24VDC PLUG IN (INCLUDES ITEMS 4-7, 14,16,19,22)
9	313401012	FLUSH SWITCH w/CABLE VIMAR 12/WHITE
	313401024	FLUSH SWITCH w/CABLE VIMAR 24/WHITE
	313402012	FLUSH SWITCH w/CABLE VIMAR 12/GRAY
	313402024	FLUSH SWITCH w/CABLE VIMAR 24/GRAY
10	313403012	FLUSH SWITCH w/CABLE GEWIS 12/GRAY
	313403024	FLUSH SWITCH w/CABLE GEWIS 24/GRAY
11	385311060	CIRCUIT BOARD COVER
12	385311058	3600 CIRCUIT BOARD 12VDC
	385311059	3600 CIRCUIT BOARD 24VDC
13	600344788	MANUAL OVERRIDE PLUG WHITE
	600344800	MANUAL OVERRIDE PLUG BONE
14	385311057	MOUNTING KIT
15	600343534	RING BASE INSERT
16	385311011	L- BOLTS/NUTS /WASH/ PLUG IN BASE
17	385311018	SUPPLY HOSE
18	385310822	MOTOR & MOUNTING HARDWARE (12VDC)
	385310846	MOTOR & MOUNTING HARDWARE (24VDC)
19	600344609	O'RING 3.1 X 3.5 X .21
20	385311013	FLOOR FLANGE ADAPTER KIT (includes item 21)
21	385310064	MOUNTING HARDWARE
22	385318864	MOUNTING FUNNEL (includes item 21)

