

# “Do Not Flush” Panel Installation Instructions



Dometic Corporation • Sanitation Systems

13128 State Rt. 226, P.O. Box 38

Big Prairie, OH 44611-0038 USA

330-496-3211

1-800-321-9886 • Fax: 330-496-3097

## MODEL INFORMATION

Part Number	Description
313720012	Do Not Flush panel, 12 VDC
313720024	Do Not Flush panel, 24 VDC

® Registered; ™ Trademark of Dometic Corporation  
© Dometic Corporation

## SPECIFICATIONS

**Average current consumption for  
12 or 24 VDC models:**  
0.016 amps

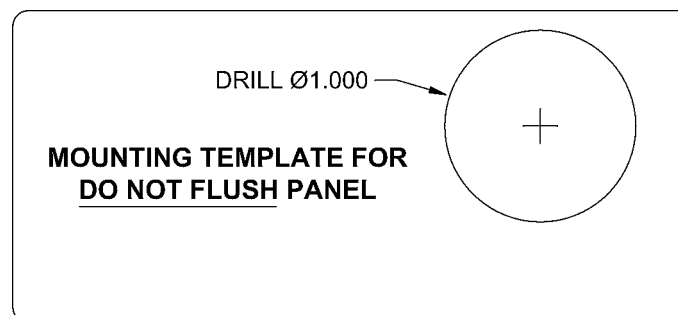
**Panel material:**  
Brushed platinum polyester

## FEATURES

- A desirable accessory for VacuFlush sanitation systems.
- Red light indicates that the vacuum pump is running or, if connected to a TankWatch 4 level indicator with shut-down relay, denotes that the holding tank is full.
- Brushed metallic-look panel complements bath decor.

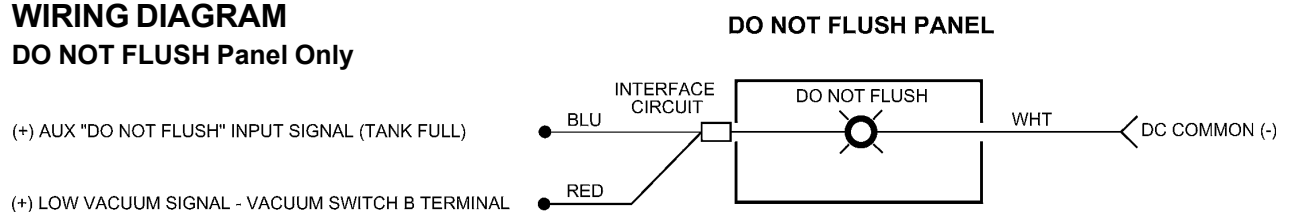
## INSTALLATION INSTRUCTIONS

1. Choose an appropriate location for the **Do Not Flush** panel.
2. Using the Mounting Template, drill a 1-inch (25.4mm) dia. hole as indicated.
3. Route the wiring according to the Wiring Diagram. Use approved connectors for attaching all wires. If only one input for the Do Not Flush light is needed, either tie both the red and blue wires together, or isolate one wire with an approved wire nut or equivalent.
4. Once the wiring is complete, mount the panel with the two mounting screws.



## WIRING DIAGRAM

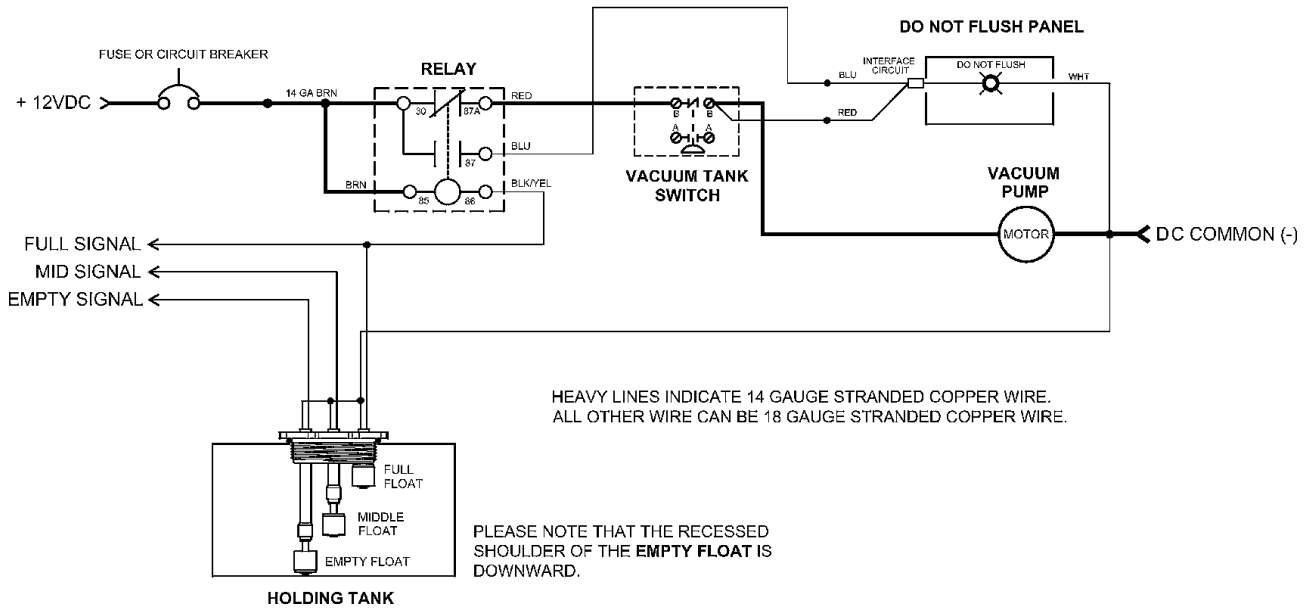
### DO NOT FLUSH Panel Only



**NOTE:** In order for the red LED to function properly for both Low Vacuum and Tank Full status, the negative signal from the Tank Full float switch must be converted to a positive signal. This can be accomplished by using a TankWatch 4 with a relay, or by using a shut-down relay assembly that is currently used with the TankWatch 3.

# WIRING DIAGRAMS

## DO NOT FLUSH Panel with Shut-down Relay



## DO NOT FLUSH Panel with TankWatch® 4 Control Panel and Shut-down Relay

